



**KAMUJA**

**DIESEL FORKLIFT A-SF60**



**Hunan Kamuja Machinery & Equipment Co.,Ltd**



A Certificated Company of GB/T 19001-2016  
ISO 9001:2015

## INTRODUCTION

Inherited the high quality characteristics of KAMUJA series products.

The machine has the advantages of compact and reasonable structure, strong lifting capacity, low failure rate and good maintainability. Widely used in stations, ports, airports, factories, warehouses and other occasions, is mechanized loading and unloading and short-distance transportation of efficient equipment.

## FEATURES

### ① ENGINE SYSTEM

The engine works stably and reliably, with low fuel consumption and strong power.

### ② HYDRAULIC SYSTEM

The dual pump design allows separate operation of the power steering and lifting units, and the hydraulic joint designed specifically for KAMUJA provides high reliability and effectively reduces the oil leakage rate. Full hydraulic load free induction steering system, easy to operate; It can ensure that the speed of goods is increased under idle conditions, so that the vehicle is more stable and reliable.

### ③ TRANSMISSION SYSTEM

Adopt the domestic first-class manufacturer's gearbox, transmission power is strong.

### ④ ELECTRICAL SYSTEM

Using the latest technology of wiring harness and waterproof plug-in, multi-channel fuse layout, safe and reliable.

### ⑤ CAB & CONSOLE

The cabin is spacious with premium seats for a comfortable driving experience, and the configuration's edge design can be seen from the driver's seat for optimal visibility when reversing to determine the distance.

### ⑥ DOOR FRAME TYPE IS AVAILABLE

Wide field of view/Level 2 Full freedom/Level 3 Full freedom

### ⑦ ACCESSORIES ARE OPTIONAL FOR THE JOB

Side shifter/pitch fork/roll clip/soft clip, etc

## HUNAN KAMUJA MACHINERY & EQUIPMENT CO.,LTD.

Room 818, 4th Floor, Chang Tong Logistic Center, No.18 Qingzhuhu Road, Changsha, Hunan, China



Tel: +86 0731 88677248 [alvaro.jin@kamuja.cn](mailto:alvaro.jin@kamuja.cn) [www.kamuja.cn](http://www.kamuja.cn)

Certificated Company of GB/T 19001-2016/ISO 9001:2015

⑧ APPLICABLE CONDITIONS/ENVIRONMENT

Widely used in stations, ports, airports, factories, warehouses and other occasions, is mechanized loading and unloading and short-distance transportation of efficient equipment

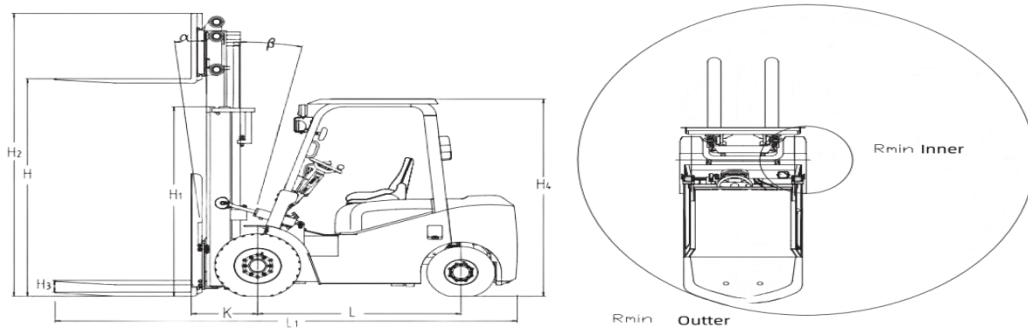
⑨ FUEL CONSUMPTION/GREEN ENVIRONMENTAL PERFORMANCE INTRODUCTION

The vehicle has been optimized to the maximum extent, improving the operation efficiency, effectively reducing fuel consumption, energy saving and environmental protection.

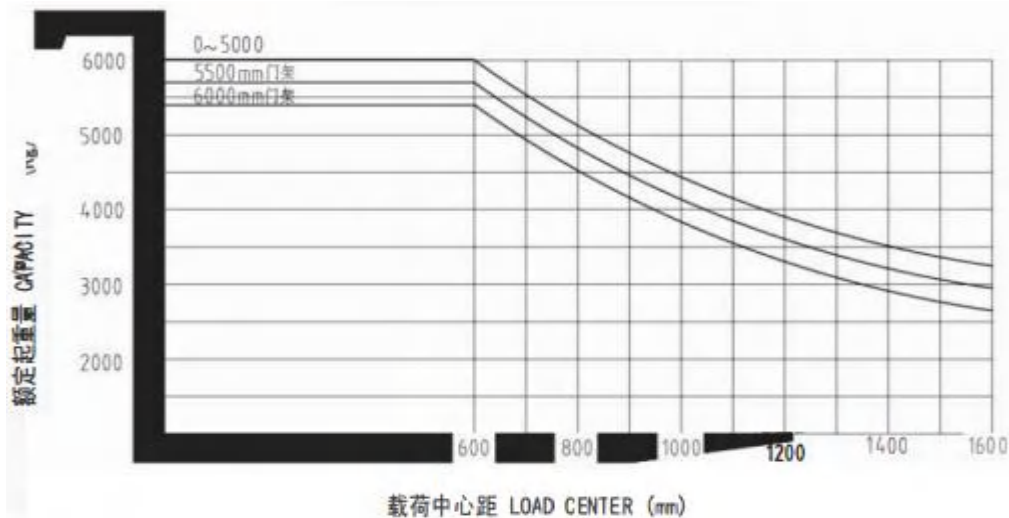
⑩ REPAIR AND EASE REPAIR

Special maintenance space is reserved for the car body, making subsequent maintenance more convenient. KAMUJA's perfect service network, timely and thoughtful service, is your peace of mind to use the equipment intimate guarantee

**OVERALL**



**CAPACITY CHART**



**HUNAN KAMUJA MACHINERY & EQUIPMENT CO.,LTD.**

Room 818, 4th Floor, Chang Tong Logistic Center, No.18 Qingzhu Road, Changsha, Hunan, China



Tel: +86 0731 88677248 [alvaro.jin@kamuja.cn](mailto:alvaro.jin@kamuja.cn) [www.kamuja.cn](http://www.kamuja.cn)

Certificated Company of GB/T 19001-2016/ISO 9001:2015

## OPTIONAL ATTACHMENTS



Multi-functional soft bag clip

Brick clamp

Roll clip

String rod



Trash clip

Push-puller

Side shifter

Carton holder

### Standard Configuration (Inclusions)

- Alight and alight protection pedals
- Type air cleaner
- Hydraulic oil scale
- Traction device
- Raise the oil speed limit valve
- Full hydraulic power steering
- Second class extra wide view frame
- Standard fork
- Raise and tilt the joystick
- Steering wheel can be adjusted
- Car handle
- Roof guard and rain shield
- Rearview mirror
- Fuel gauge
- Preheating prompt
- Engine oil pressure alarm
- Neutral safety switch (hydraulic drive)
- Standard roof guard
- Transmission oil scale (Hydraulic transmission)
- High performance tyre
- High air intake device
- Hydraulic oil suction filter element
- Tilt oil circuit self-locking valve
- Cable parking brake
- Front combination lamp
- Electric horn
- Overhead headlights
- The reverse buzzer
- Class II (III) cargo fork rack
- Stopwatch
- Hood gas spring
- Rear combination lamp
- Charging tips
- Oil cooler (Hydraulic drive)
- Car tool kit
- Water thermometer
- Standard seat
- Two disc multiway valve
- Large rubber pedal pad
- Standard rack
- Load relief valve

### HUNAN KAMUJA MACHINERY & EQUIPMENT CO.,LTD.

Room 818, 4th Floor, Chang Tong Logistic Center, No.18 Qingzhuhu Road, Changsha, Hunan, China

Tel: +86 0731 88677248 [alvaro.jin@kamuja.cn](mailto:alvaro.jin@kamuja.cn) [www.kamuja.cn](http://www.kamuja.cn)



Certificated Company of GB/T 19001-2016/ISO 9001:2015

## Select devices and accessories

Tilt cylinder jacket	Middle exhaust device
Dual drive wheel	Exhaust fire protection
Cab	Suspension seat
Overhead exhaust device	Weighing system
User specified color	Auxiliary hydraulic valve assembly
Cab heater	Extinguisher
Rear working light	Copper water tank
Alarm lamp	LED rear light
Solid tyre	Double air filter

## Optional fittings

Roll clip	Side yoke
Rotate the flat clamp	Swivel fork
Load stabilizer	Fork extension cover
Multi-purpose bucket clamp	Load ejector
Soft clip	Carton clip
Can clip	Position ejector
Miter clamp	Bucket
Boom	Lifting hook
String rod	Extended fork

## Special Equipment for Mast

Secondary wide view full free gantry  
 Three wide field of view full free gantry  
 Special fork

※ The technical information may vary by the update policy, the changes will be without prior notice.

### HUNAN KAMUJA MACHINERY & EQUIPMENT CO.,LTD.

Room 818, 4th Floor, Chang Tong Logistic Center, No.18 Qingzhuhu Road, Changsha, Hunan, China



Tel: +86 0731 88677248 [alvaro.jin@kamuja.cn](mailto:alvaro.jin@kamuja.cn) [www.kamuja.cn](http://www.kamuja.cn)

Certificated Company of GB/T 19001-2016/ISO 9001:2015



## SPECIFICATIONS

General	Model		Unit	A-SF60		
	Load capacity		kg	6000		
	Load center		m m	500		
	Power type			Diesel		
Dimensions	Lift height	H	m m	3000		
	Free lifting height	H3	m m	200		
	Fork Distance (Out side)		m m	300/1756		
	Mast tilt angle	$\alpha/\beta$	deg	6/12		
	Fort overhang	K	m m	615		
	Overall dimensions	Length to face of fork		L1	m m	4770
		Overall width			m m	1995
		Overall height fork lowered		H1	m m	2500
		Overall height fork raised		H2	m m	4380
		Overall guard height		H4	m m	2460
	Turning radius			m m	3320	
Min.right angle aisle width			m m	3000		
Performance	Travelspeed (Full/No load)	Walking speed		km/h	26/28	
		Lifting speed		km/h	40/430	
	Max.gradeability (Full/No load)			%	20/15	
	Self weight			kg	8640	
Chassis	Tires	Front			8.25-15-14PR	
		Rear			8.25-15-14PR	
	Tire diatance	Front		m m	1470	
		Rear		m m	1700	
	Wheelbase			m m	2250	
Ground clearance	Rack		m m	200		
Drive units & control	Engine	Model			ISUZU6BG1	
		Rated output		km/ rpm	82.4/2000	
		Rated torque		N.m/rpm	416.8/1500	
		No.of cylinder			6	
		Borexstroke		m m	105x125	
		Displacement		L	5.785	
	Torque Converter of transmission box	Type			Hydraulic	
		Shift	Front and back		2/2	
Working pressure			Mpa	20		

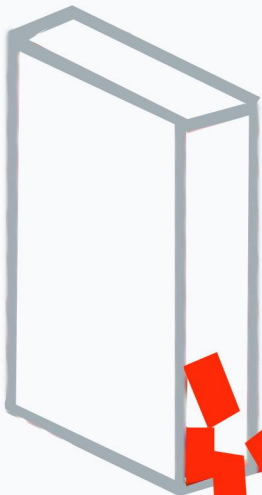
### HUNAN KAMUJA MACHINERY & EQUIPMENT CO.,LTD.

Room 818, 4th Floor, Chang Tong Logistic Center, No.18 Qingzhuhu Road, Changsha, Hunan, China



Tel: +86 0731 88677248 [alvaro.jin@kamuja.cn](mailto:alvaro.jin@kamuja.cn) [www.kamuja.cn](http://www.kamuja.cn)

Certificated Company of GB/T 19001-2016/ISO 9001:2015



## Hunan Kamuja Machinery & Equipment Co.,Ltd

Address: Qingzhu Hu Road N.18, Chang Tong Logistic Center Floor 4 Room 818,  
Jinxia Economic Development Zone, Changsha City, Hunan Province, P.R of China.

333 SE 2nd Avenue Suit 2000 Miami FL 33131. USA

Tel: +86 731 8867 7248 e-mail: [info@kamuja.cn](mailto:info@kamuja.cn)

Web site: [www.kamuja.cn](http://www.kamuja.cn)



A Certificated Company of GB/T 19001-2016/  
ISO 9001:2015